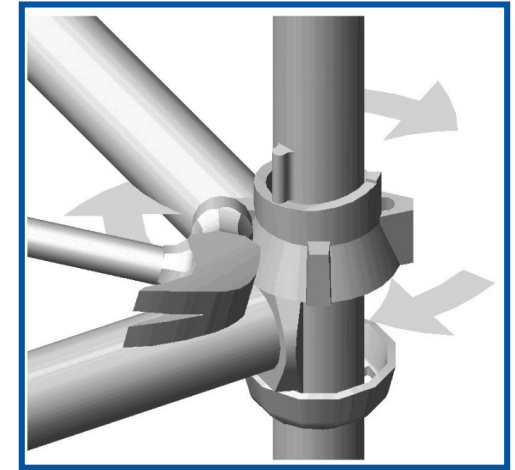


The Hublok System

Cup Locking Scaffold

STOCKISTS IN EDMONTON N18



- Manufactured from 48.30mm x 3.25mm structural steel tube.
- All components supplied Hot Dipped Galvanised for increased protection.
- Design and Construction advice available on request.
- Additional products can be supplied Ex- Works from our own group manufacturer.
- Full Pallet or 1 off, we can supply ex stock or ex works
- Try us for all your scaffolding needs!
- For sale only no hire facilities



Hub Le Bas
Nobel Road, Eley Trading Estate, Angel Road, Edmonton, London N18 3DW
Tel: 0208 803 1424 Fax: 0208 803 3187 Ask for Scaffolding Sales

The Hublok System

Cup Locking Scaffold



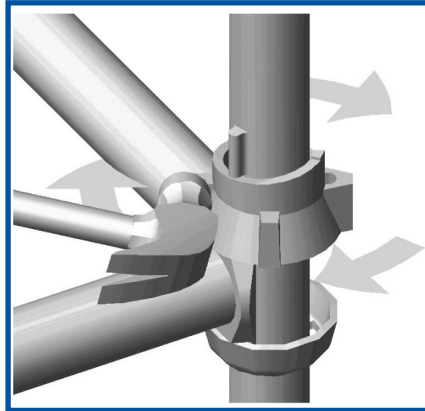
Hub Le Bas

A Division of Caparo Precision Tubes Limited

Batten System

Ledgers

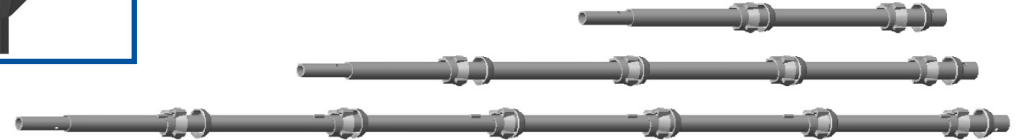
0.6m, 0.9m, 1.3m, 1.8m, 2.5m



Scaffold Board System

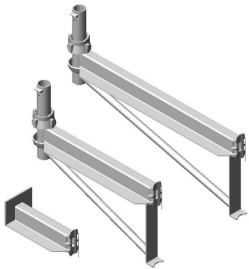
Standards

1m, 2m, 3m



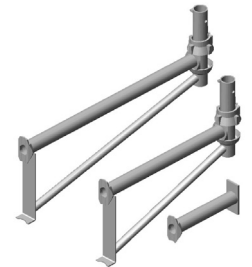
Batten Hop Up Brackets

- 1 board
- 2 board
- 3 board



Board Hop Up Brackets

- 1 board
- 2 board
- 3 board



Steel Battens

1.3m 1.8m 2.5m



Batten Transom 0.9m 1.3m 1.8m 2.5m



**All Thread Jack
(Plated)**



Diagonal Brace 2.5m x 2.0m, 1.8m x 2.0m



Intermediate Transom 0.6m 0.9m 1.3m

Tel: 0208 803 1424

Fax: 0208 803 3187

Ask for Scaffolding Sales